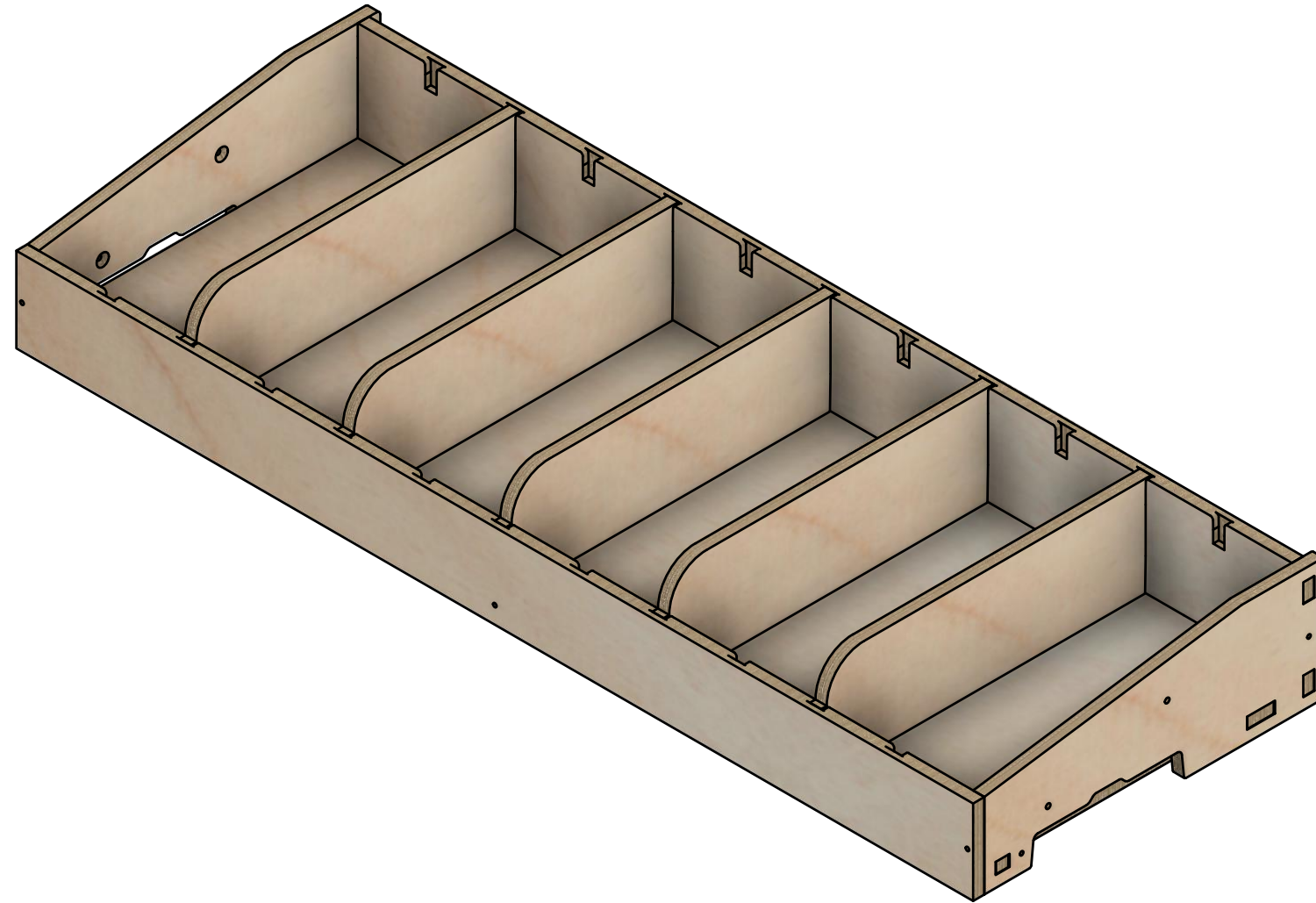


See notes below.

1020W | Standard Organiser

SKU: ORG_S01_NO.1_340



Page 1 - Overview

All units in mm

Plywood thickness = 12mm

Notes

- Designed to fit 1020W racking unit sections.
- Comes with 5 dividers as standard.
- All dividers are removable.

YOKE VANS

info@yoke-van-kits.co.uk

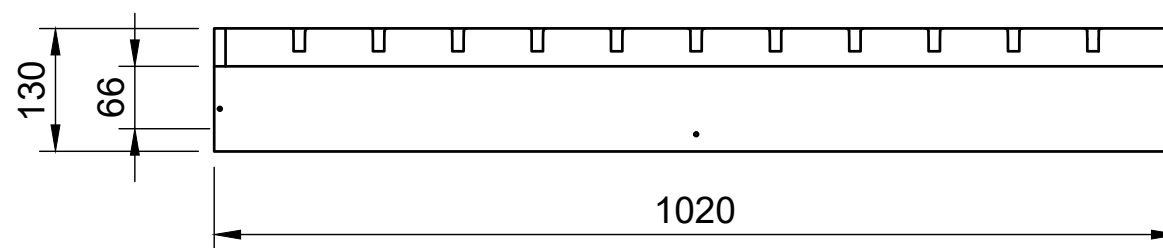
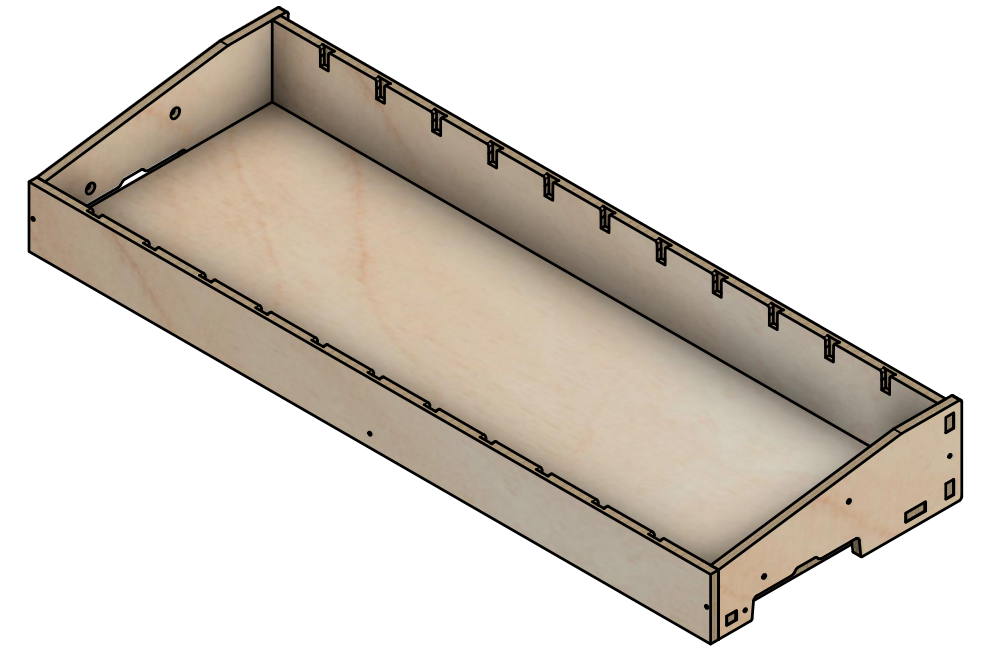
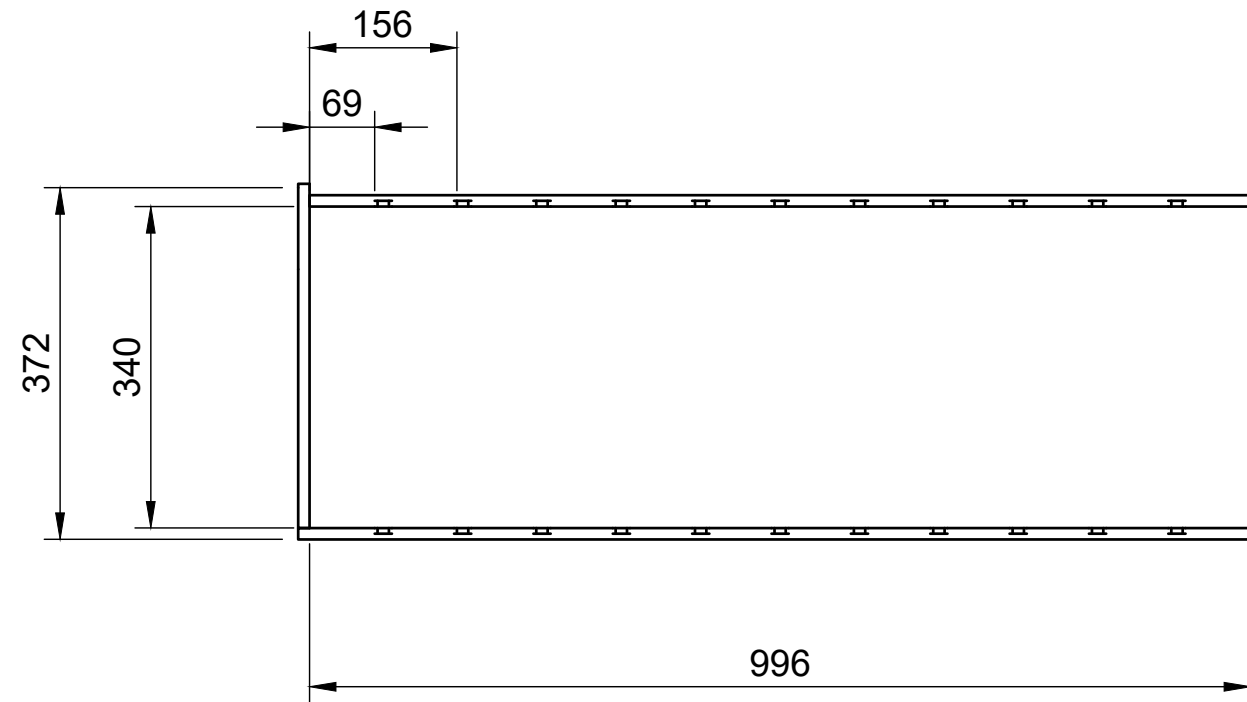
0208 132 9221

© 2023 Yoke CNC LTD

See notes below.

1020W | Standard Organiser

SKU: ORG_S01_NO.1_340



Page 2 - External Dimensions

All units in mm

Plywood thickness = 12mm

Notes

- Designed to fit 1020W racking unit sections.
- Comes with 5 dividers as standard.
- All dividers are removable.

YOKE VANS
info@yoke-van-kits.co.uk
0208 132 9221

© 2023 Yoke CNC LTD